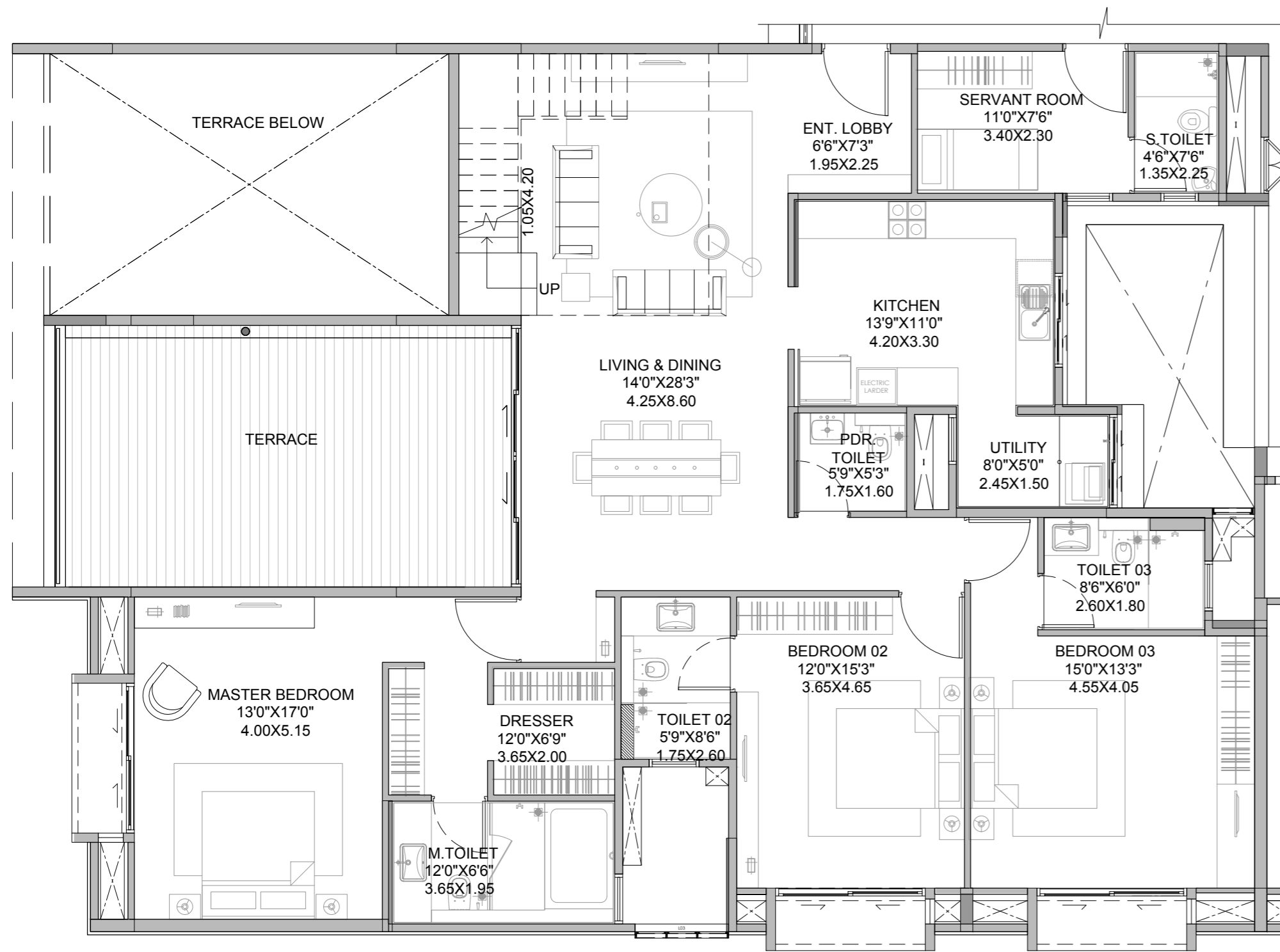
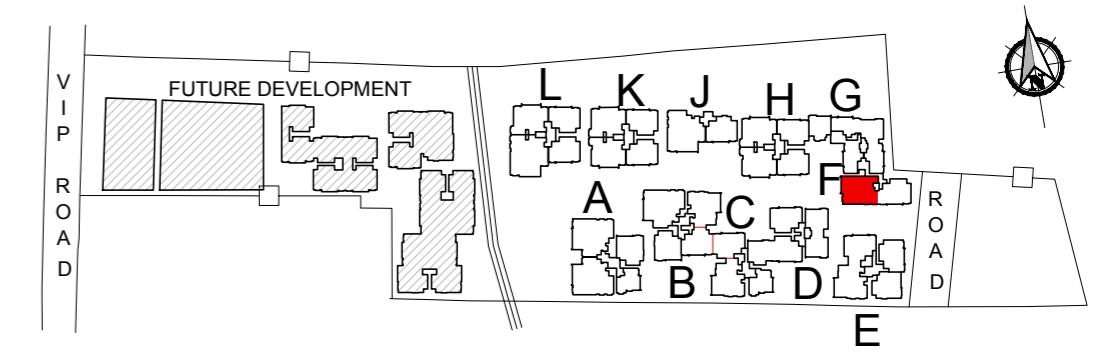


BUILDING F

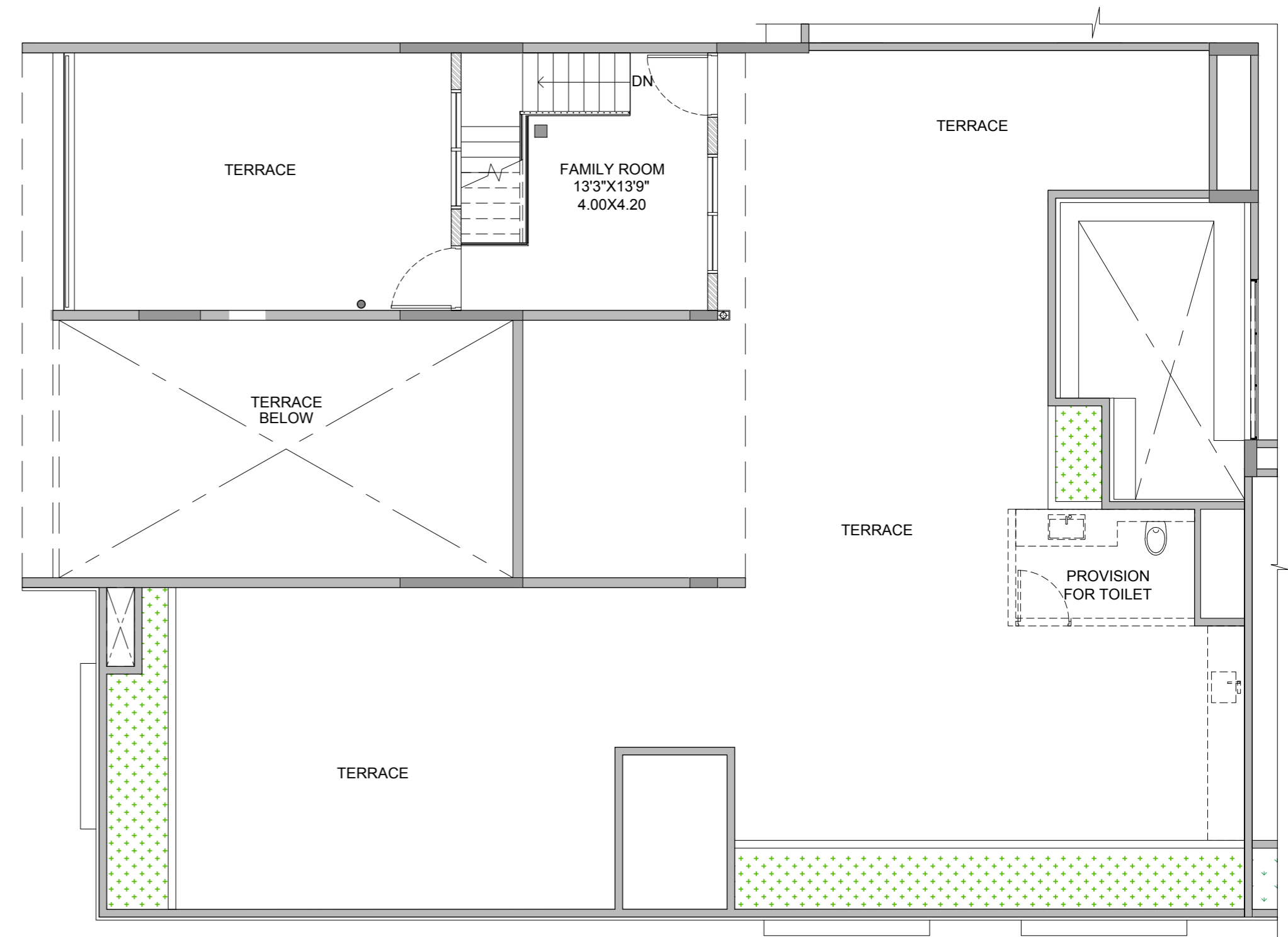
PENTHOUSE : 302

3.5 BHK

KEY PLAN



LOWER LEVEL PLAN



UPPER LEVEL PLAN

BUILDING F

| FLAT TYPE | FLAT NO. | UNIT CARPET AREA (SQ.M.) | ENCLOSED BALCONY CARPET AREA (SQ.M.) | EYE LEVEL TERRACE CARPET AREA (SQ.M.) | GARDEN CARPET AREA (SQ.M.) | TOP TERRACE CARPET AREA (SQ.M.) | TOTAL CARPET AREA (SQ.M.) |
|-----------|----------|--------------------------|--------------------------------------|---------------------------------------|----------------------------|---------------------------------|---------------------------|
| 3.5 BHK | 302 | 163.09 | 26.67 | 31.46 | 000 | 188.85 | 410.07 |

